

Sibling Pendant

A contemporary pendant designed to suit timber interiors or vibrant interior palettes. The Sibling Pendant is available in endless powdercoat shade colours, or solid brass in a slate patina or natural brass finish. The timber top is available in custom hardwood species or timber finishes for even more customisation.

Technical Details

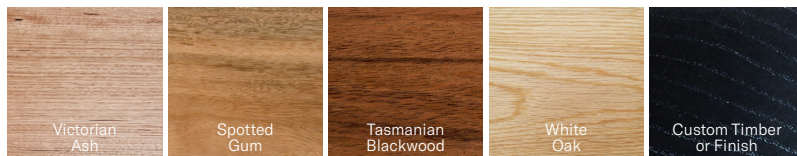
Dimensions	Ø187 x 180mm
Material	Solid Hardwood, Spun Brass Shade, Glass Opal Bulb, Textile Cord
LED	Cree Integral LED
Bulb	ø80mm Matte Opal Glass
Input Voltage	6V via 240V remote driver
CRI	90
Wattage	2W
Lumens	450lm approx.
Colour Temperature	2700K 3000K
Dimming	Phase-cut, DALI other dimming types on request
Warranty	3 Years



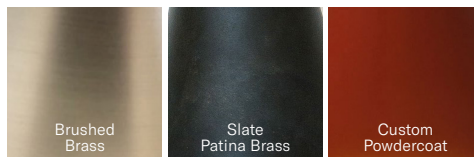
Create a Custom Pendant

Pendant	Sibling Pendant	SP
Timber Top	Victorian Ash Spotted Gum Tasmanian Blackwood American Oak American Oak - Black	VA SG TB AO OB
Shade Finish	Brushed Brass Slate Patina Brass Custom Powdercoat	BB SB PO
LED Colour	2700K Warm White	27K
Dimming Type	Phase Cut DALI	PH DD
Ceiling Plate	Small Plate Ø76 Large Plate Ø106 Canopy Ø80	76 106 80
Ceiling Plate Colour	White Black	W B
Cable Colour	White Textile Black Textile Custom Textile	WT BT CT
Drop Length	1.5m Standard Custom	1.5m _m

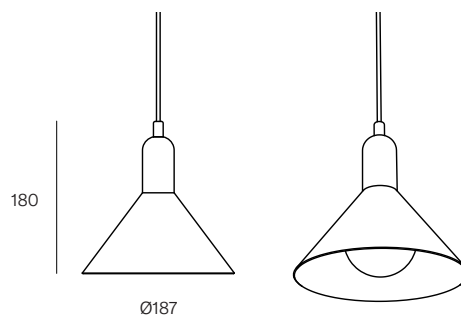
Timber Top



Shade Finish

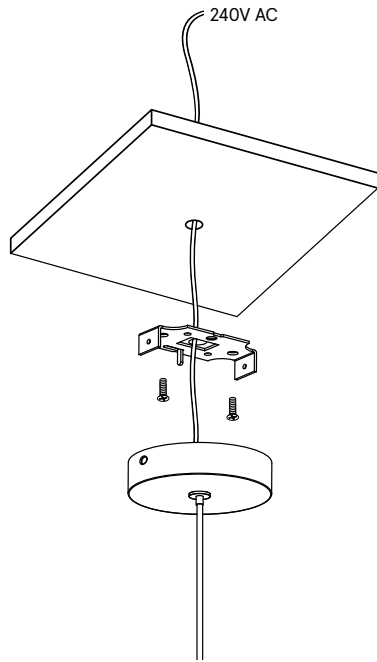


Dimensions



Sibling Pendant

Ceiling Plate Details



Canopy
Ø80 x 25mm

Suitable for full ceiling
access to place the remote
driver from above.

Cutout hole: 10-20mm