

Button Sconce

A cute though versatile solid hardwood and glass sconce well suited to small reading nooks, lounge rooms, hallways and bedrooms.

The integral LED lightsource is a maintenance free lighting option for restaurants, cafes, offices and commercial spaces.

Technical Details

| | |
|--------------------|---|
| Dimensions | Ø122 x 117mm |
| Material | Solid Timber, Glass, Aluminium |
| LED | Cree Integral LED |
| Bulb | ø100mm Matte Opal Glass Sphere |
| Input Voltage | 6V via 240V remote driver |
| CRI | 90 |
| Wattage | 2W |
| Lumens | 450lm approx. |
| Colour Temperature | 2700K 3000K |
| Dimming | Phase-cut, DALI Other dimming types on request |
| Warranty | 3 Years |

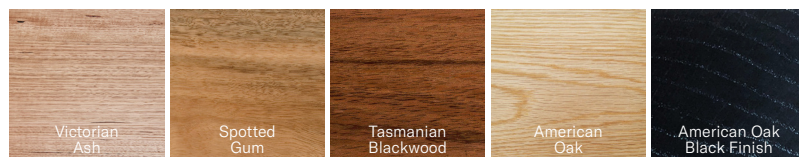


Create a Custom Sconce

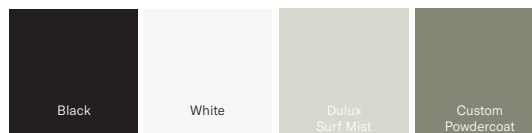
| | | |
|------------------------|-----------------------------|-----|
| Design | Button Sconce | BU |
| Timber Base | Victorian Ash | VA |
| | Spotted Gum | SG |
| | Tasmanian Blackwood | TB |
| | American Oak | AO |
| | American Oak - Black Finish | OB |
| | Custom | C |
| Wall Plate Finish | White | WP |
| | Black | BP |
| | Dulux Surfmist | SP |
| | Custom Powdercoat | CP |
| LED Colour Temperature | 2700K | 27K |
| | 3000K | 3K |

Example code: BU - VA - WP - 27K

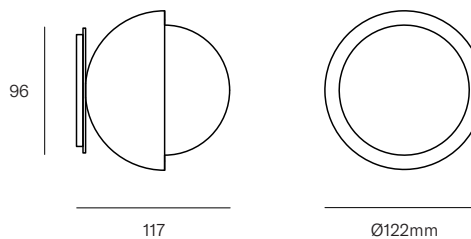
Timber



Wall Plate Finish



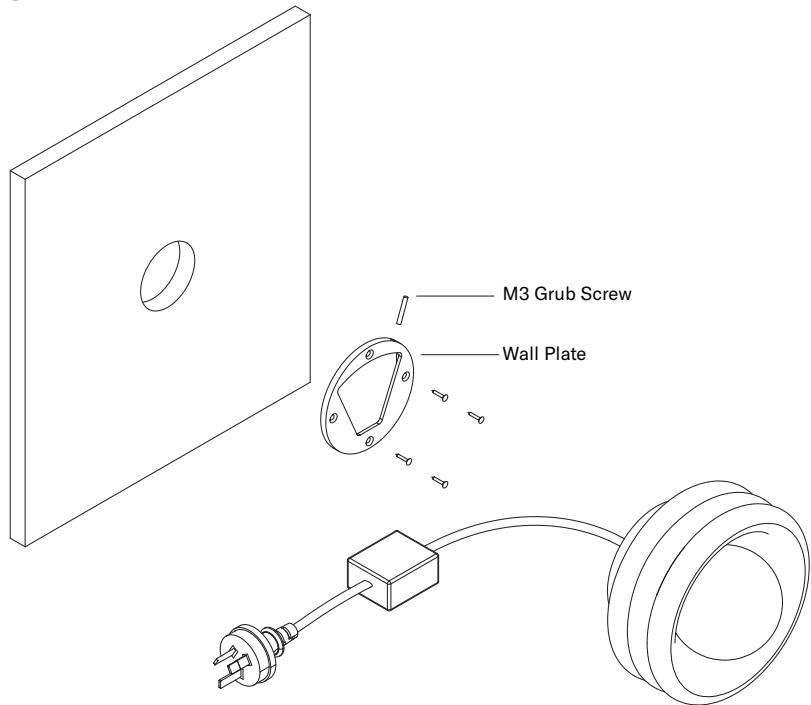
Dimensions



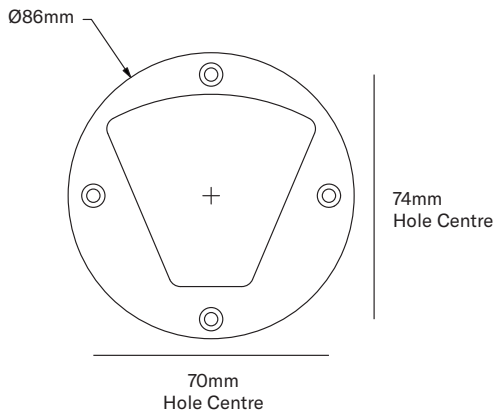
Button Sconce

Wall Plate Details

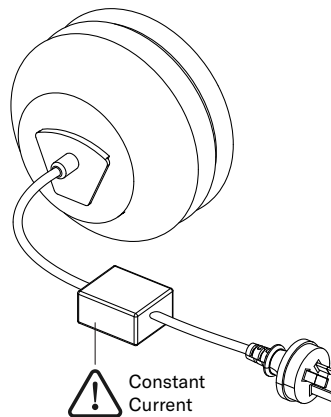
1. Prep the wall with a (minimum) 40mm hole.
2. Screw the wall plate onto the wall with the appropriate fasteners for the wall material.
3. Terminate cables appropriately. The transformer needs to be accessible for maintenance purposes.
4. Mount the timber body to the wall plate using the attached bracket. Secure the two brackets together using the M3 grub screw. (A suitable hex key is supplied)
5. Test installation meets the requirements of AS/NZS 3000.



Wall Plate Details



Driver Details



Warranty only valid when installed with the supplied driver.